

# SSC-N11/N11A

Analog Color Mini-Dome Cameras

**SONY**  
make.believe

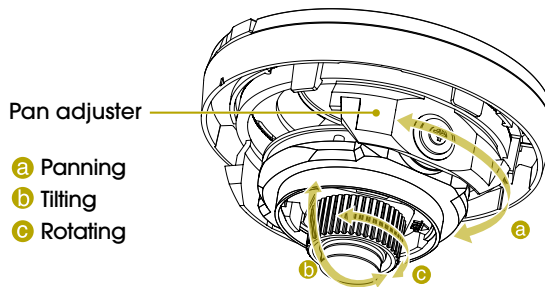
## 540 TV Line Compact Security Camera with High Sensitivity

- Horizontal resolution 540 TV lines
- High sensitivity 0.55 lx (F2.0, 50 IRE, Color)
- Fixed focal lens (3.0 mm)
- Compact design



### KEY FEATURES

- High resolution (540 horizontal TV lines) and high sensitivity (0.55 lx, F2.0, 50IRE) achieved by a 1/3-type Super HAD CCD II sensor and Sony's new digital signal processor, Effio-E.
- Easy and flexible camera angle adjustment achieved by a new three-hinge structure.
  - Panning
  - Tilting
  - Rotating
- ATR-Lite (Adaptive Tone Reproduction Lite) to compensate for gradation of subjects to an optimum level.
- iBLC to compensate for exposure levels in dark scenes to improve subject visibility.
- ATW (Automatic Tracing White) balance which automatically adjusts the camera's white balance to adapt to sudden changes in lighting conditions.
- 2D noise reduction employed.
- Custom template supplied.
- Electrical Day/Night function to switch to Day or Night mode depending on the light level.
- Low power consumption: 0.9 W (Max.).

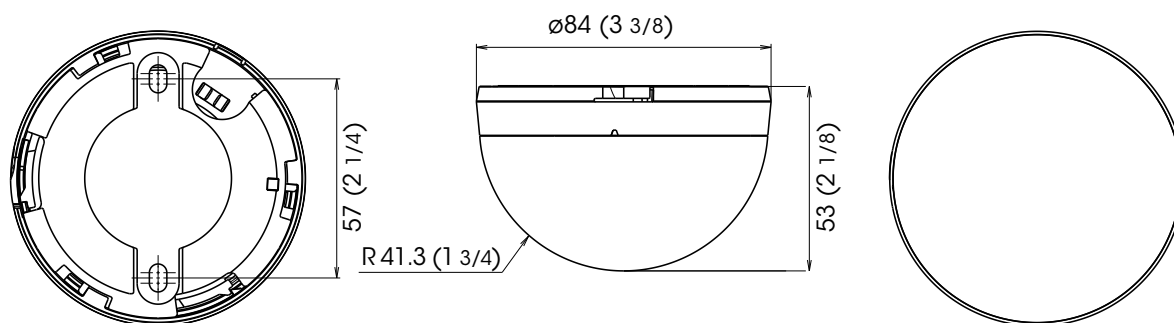


## SPECIFICATIONS

	SSC-N11	SSC-N11A
<b>Camera</b>		
Image device	1/3-type Super HAD CCDII	
Number of effective pixels (H x V)	440,000 pixels (752 x 582)	380,000 pixels (768 x 494)
Signal system	PAL standard	NTSC standard
Horizontal resolution	540 TV lines	
S/N ratio	More than 55 dB (AGC Off)	
Minimum illumination	Color: 0.55 lx, B/W: 0.3 lx (F2.0, 50IRE); Color: 0.35 lx, B/W: 0.2 lx (F2.0, 30IRE)	
Video output	VBS: 1.0Vp-p	
Synchronization	Internal lock	
Gain control	Auto (on/off)	
White balance	ATW (2000K to 10000K)	
Lens type	Fixed focal lens	
Zoom ratio	Fixed	
Horizontal viewing angle	95.9 degree	
Focal length	f=3.0 mm	
F number	F2.0	
Minimum object distance	400 mm	
Iris	Fixed	
Panning range	340 degree	
Tilting range	±45.3 degree	
Swivel rotation	340 degree	
<b>Camera Features</b>		
Day/Night	Yes (Electrical D/N)	
Noise reduction	Yes (2D NR)	
Back light compensation	Yes (iBLC)	
Automatic tone reproduction	Yes (ATR-Lite)	
<b>General</b>		
Mass	125 g (4.4 oz)	
Dimensions	ø 84 mm x 53 mm (ø 3 3/8 inches x 2 1/8 inches)	
Power requirement	DC12 V ±10%	
Power consumption	Max. 0.9 W	
Operating temperature	-10 °C to +50 °C	
Storage temperature	-40 °C to +60 °C	
Operating humidity	20 % to 80 %	
Storage humidity	20 % to 95 %	
Supplied accessories	Operating instructions	

## DIMENSIONS

Unit: mm (inches)



Distributed by

© 2010 Sony Corporation. All rights reserved.  
 Reproduction in whole or in part without written permission is prohibited.  
 Features and specifications are subject to change without notice.  
 The values for weight and dimension are approximate.  
 "SONY" and "make.believe" are registered trademarks of Sony Corporation.  
 All other trademarks are the property of their respective owners.